

2017 MODEL YEAR GENERAL MOTORS

INFORMATION REGARDING

CONSUMER INFORMATION TRUCK-CAMPER LOADING

PUBLISHED APRIL 2016

2017 MODEL YEAR GENERAL MOTORS TRUCKS

CONSUMER INFORMATION TRUCK-CAMPER LOADING

Consumer Information Regulation 575.103 issued by the National Highway Traffic Safety Administration requires manufacturers of trucks that would accommodate slide in campers to specify the cargo weight ratings and the longitudinal limits within which the center of gravity for the cargo weight rating should be located.

This Consumer Information booklet provides basic information relating to load capabilities of 2017 model year General Motors truck models which are adaptable to slide-in camper applications. Information contained herein is applicable to the truck buyer who already owns a 2017 model year General Motors truck or to a prospective truck purchaser.

The truck-camper loading information is maintained in truck dealerships (accessed from the GM Dealerworld website) and available to all prospects on request. This booklet relates to the 2017 model year General Motors truck models recommended for slide-in camper applications and is a consumer information brochure.

Product specifications or data contained herein may change periodically. When a revision of this booklet is supplied to truck dealers, it is the dealers' responsibility to make the revised information available to the public. Your dealer can help make a good vehicle-camper match and help determine the Cargo Weight Rating (CWR).

A vehicle-specific Truck-Camper Loading Information label is attached to the inside of the vehicle's glove box. This label indicates if a slide-in camper can be carried, how much of the load the vehicle can carry, and how to correctly spread out the load.

Please check the compatibility of any aftermarket product you intend to install on your new 2017 Model Year vehicle with your aftermarket product manufacturer.

All illustrations and specifications contained in this publication are based on the latest product information available at the time of publication. We reserve the right to discontinue or change at any time, without notice, any colors, optional equipment, specification and/or body types.

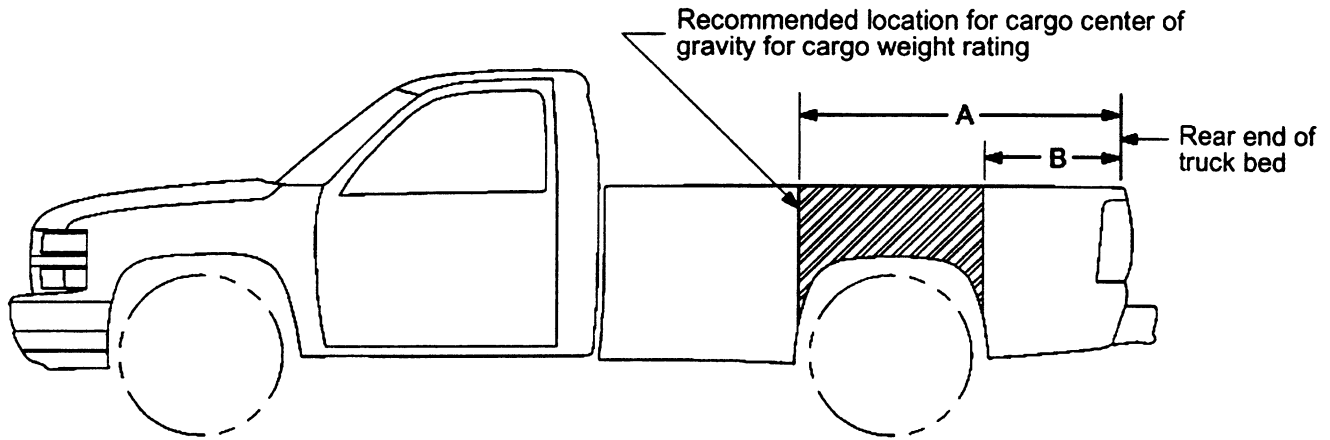
TRUCK-CAMPER LOADING

Consumer Information Regulation 575.103 requires manufacturers of trucks capable of accommodating slide-in campers to specify the vehicles' Cargo Weight Rating (CWR) and the longitudinal limits within which the center of gravity for the Cargo Weight Rating should be located.

Cargo Weight Rating (CWR) – means the value specified by the vehicle manufacturer as the cargo-carrying capacity of a vehicle in kilograms (pounds), exclusive of (minus) the weight of occupants, computed as 68 kilograms (150 pounds) times the number of designated seating positions.

Slide-in Camper (Camper) means a structure designed to be mounted in the cargo area of a truck, or attached to an incomplete vehicle with motive power, for the purpose of providing shelter for persons.) means a camper having a roof, floor, and sides, designed to be mounted and removable from the cargo area of a truck by the user.

Longitudinal Center of Gravity (CG) Zone for CWR – The forward limit of the recommended CG Zone is determined by the application of dimension "A" measured in centimeters (inches) from the rear of the truck bed. The rearward limit of the recommended CG Zone is established by application of dimension "B", also measured in centimeters (inches) from the rear of the truck bed. The recommended CG Zone lies between these points.



Use the rear edge of the load floor for measurement purposes. The recommended location for the cargo center of gravity is at point C for the CWR. It is the point where the mass of the body is concentrated and, if suspended at that point, would balance the front and rear.

Model _____ Calculated Cargo Weight Rating _____
Dimension A _____ Dimension B _____

LIMITATIONS ON RECOMMENDED CG ZONES

FORWARD LIMIT

- Must not extend beyond the inside surface of the pickup box.
- Must not exceed the front gross axle rating (GAWR).

REARWARD LIMIT

- Must be no farther rearward than the inside surface of the pickup box.
- Must not exceed the gross axle weight rating (GAWR) of the rear axle.

TRUCK-CAMPER LOADING


Vehicle CG Identification – All General Motors trucks that may be suitable for carrying a slide-in camper incorporate a Truck-Camper Loading information label located on the glove box floor for Silverado/Sierra models. The vehicle identification number (VIN) and the as-manufactured Cargo Weight Rating (CWR) of that vehicle plus the CG limits of dimension “A” and “B” for that vehicle in centimeters (inches) are included.

GM **TRUCK CAMPER LOAD INFORMATION**

THIS INFORMATION IS FURNISHED TO INDICATE THE MANUFACTURER'S RECOMMENDATION REGARDING THE USE OF A SLIDE-IN CAMPER WITH THIS TRUCK AS MANUFACTURED.

CARGO WEIGHT RATING = 1184KG(2610LB)
DIMENSION "A" = 201CM(79IN) "B" = 61CM(24IN)

1GTHK29U08E102422 TRUCK


SEE OWNER'S MANUAL  FOR MORE TRUCK CAMPER INFORMATION.

GM **TRUCK CAMPER LOAD INFORMATION**

THIS INFORMATION IS FURNISHED TO INDICATE THE MANUFACTURER'S RECOMMENDATION REGARDING THE USE OF A SLIDE-IN CAMPER WITH THIS TRUCK AS MANUFACTURED.

THIS TRUCK SHOULD NOT BE USED TO CARRY A SLIDE IN CAMPER

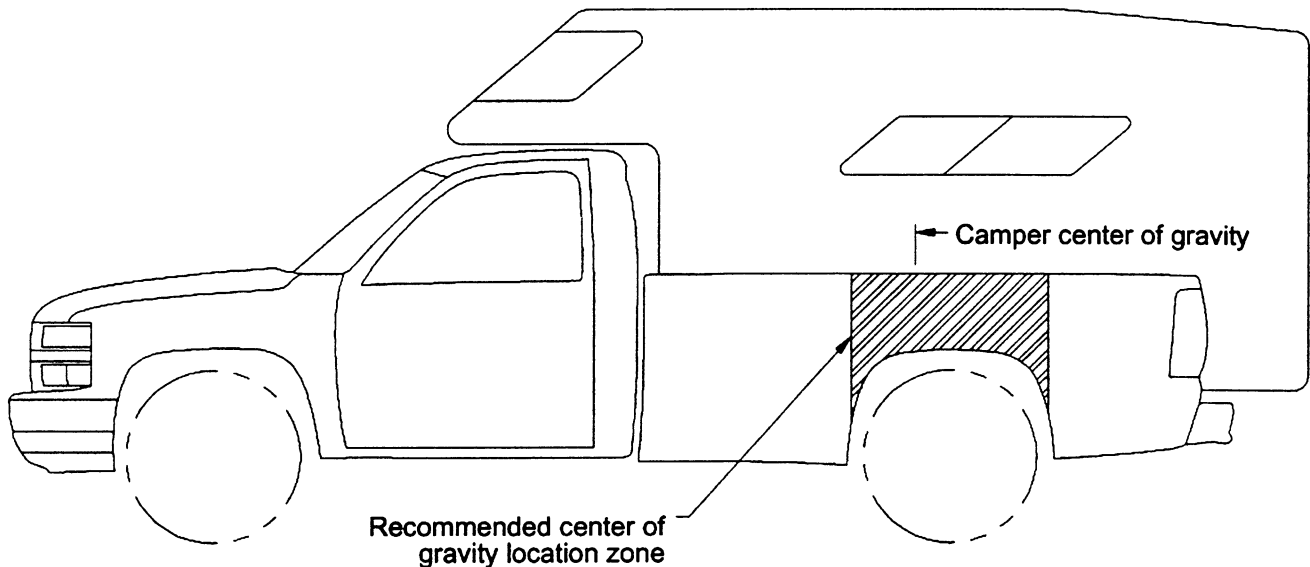
1GCCS19X038100005 TRUCK

SEE OWNER'S MANUAL  FOR MORE TRUCK CAMPER INFORMATION

Vehicle and Truck-Camper Loading are discussed at length in the vehicle Owner's Manual.

TRUCK-CAMPER LOADING

Loading Instructions – When the truck is used to carry a slide-in camper, the total cargo load of the truck consists of the manufacturer's camper weight figure, the weight of installed additional camper equipment not included in the manufacturer's camper weight figure, the weight of camper cargo and the weight of passengers *in the camper*. The total cargo load should not exceed the truck's Cargo Weight Rating (CWR) and the camper's center of gravity should fall within the truck's recommended center of gravity zone when installed.



Any accessories or other equipment added to this vehicle after final date of manufacture must be weighed or have their weight determined, and the weight deducted from the prescribed Cargo Weight Rating (CWR) of this vehicle. This extra weight may shorten the center of gravity zone of the vehicle.

If a slide-in camper has a total weight less than the Cargo Weight Rating (CWR), the permissible longitudinal zone of the center of gravity may be larger. However, individual axle loads should not exceed either of the gross axle weight ratings (GAWR).

Secure loose items to prevent weight shifts that could affect the balance of your vehicle. When the truck-camper is loaded, drive to a scale and weigh on the front and on the rear wheels separately to determine the axle loads. Individual axle loads should not exceed either of the gross axle weight ratings (GAWR). The total of the axle loads should not exceed the gross vehicle weight rating (GVWR). These ratings are given on the vehicle certification label that is located on the left side of the vehicle, normally on the door latch post or door edge next to the driver. If weight ratings are exceeded, move or remove items to bring all weights below the ratings.

CAUTION:

The longitudinal center of gravity is only one of the many factors that may affect the overall performance of a vehicle, including handling, steering and braking. The cargo load should be distributed on both sides of the centerline as equally as possible. The recommended longitudinal limits for the camper's center of gravity are based on the assumption that the vehicle will be operated with reasonable prudence in light of all of the existing conditions. Failure to do so could result in unsatisfactory vehicle performance and could make the vehicle unsafe to operate.

In this connection, refer to any recommendations by the slide-in camper manufacturer regarding installation and loading of the camper.

TRUCK-CAMPER LOADING

DEFINITION OF TERMS

For the purposes of calculating Truck-Camper Loading in this book, listed below are some common terms and abbreviations:

Cargo Weight Rating (CWR) – means the value specified by the vehicle manufacturer as the cargo-carrying capacity of a vehicle in kilograms (pounds), exclusive of (minus) the weight of occupants. Occupant weight is computed as 68 kilograms (150 pounds) times the number of designated seating positions.

Center of Gravity (CG) – point where the mass of a body is concentrated and if suspended at that point would balance front and rear.

Curb Weight – weight of a vehicle without driver, passengers or cargo but including maximum capacity of fuel, oil, coolant and other items of standard equipment.

Dimension A & B – front and rear limit of Center of Gravity (CG) zone.

Gross Vehicle Weight Rating (GVWR) – means the value specified by the manufacturer as the loaded weight of a single vehicle.

Gross Axle Weight Rating (GAWR) – means the value specified by the vehicle manufacturer as the load-carrying capacity of a single axle system measured at the tire-ground interfaces.

Model Weight – weight of the vehicle with all items of standard equipment, 68 kilograms (150 pounds) per passenger in each designated seating position and maximum capacity of fuel, oil and coolant.

Payload Rating – maximum allowable load (including the weight of the driver and all occupants) that the vehicle can carry based on all factory-installed equipment on the vehicle.

RPO – Regular Production Option.

Slide-in Camper – means a camper having a roof, floor, and sides, designed to be mounted on and removable from the cargo area of a truck by the user.

Weight Distribution – the amount of a vehicle's weight that rests on each axle.

Wheelbase (WB) – the distance from the centerline of the front axle to the centerline of the rear axle.

LIMITATIONS

The following 2017 model year General Motors truck models are not recommended for slide-in camper applications:

- Any pickup model with a Cargo Weight Rating (CWR) of less than 226.8 kg (500 lbs). A statement to this effect is imprinted on the Truck-Camper Loading information label that states whether that vehicle is recommended for use with a slide-in camper.
- C/K Silverado/Sierra 1500 crew cab, with 5'8" box
- C/K Silverado/Sierra 1500 with 20" wheels,
- S/T Colorado/Canyon pickups.

Notes:

- C/K Silverado/Sierra 1500 Pickups should not be used for larger, cab-over type slide-in campers.
 - Some vehicles may be equipped with exterior trim options that may interfere with installation of a slide in camper. Using a slide in camper for these vehicles is not recommended.
-

TRUCK-CAMPER LOADING

C/K, REGULAR, EXTENDED AND CREW CAB PICKUPS

INSTRUCTIONS FOR PROSPECTIVE TRUCK PURCHASERS

VEHICLE SELECTION AND WEIGHT ANALYSIS

Silverado/Sierra Models

From the GM Dealer World Website or GM Autobook model selection pages, select the Silverado/Sierra Pickup you desire. Record this information on page 3. Refer to the Specification section for the selected model. Select the GVWR you require and note any minimum tire size and chassis equipment requirements for that GVWR. (To approximate the GVWR you require, add your loaded camper weight to the vehicle curb weight plus the occupants' weight at 68 kg (150 lbs) per designated seating position.) Record the GVWR and the Gross Axle Weight Rating (GAWR) front and rear (from the Specifications section), on line 1 of the camper loading worksheet, page 7.

Record the front and rear curb weights of your selected vehicle on line 2, page 7.

Record the front and rear passenger weights on line 3, page 7.

List all factory-installed options you desire, including any options required by your selected GVWR, with their front and rear weights on the Pickup Camper Loading Worksheet on page 7.

Total the front and rear weights of the vehicle model and options to arrive at the total front and rear weight of the vehicle. Follow the directions on page 7, lines 5 through 5C to arrive at the adjusted total vehicle weight.

Subtract the adjusted total vehicle weight from the GVWR to arrive at the Cargo Weight Rating (CWR)* of your truck. Record this information on page 3.

Proceed to page 12 and calculate the center of gravity location limits using front and rear GAWRs, Cargo Weight Rating (CWR), and front and rear weight of truck as determined above. Record this information on page 3.

*The addition of any dealer installed or other accessories will reduce the cargo-carrying capacity by the weight of the equipment installed.

TRUCK-CAMPER LOADING

C/K PICKUPS

WORKSHEET – CARGO WEIGHT RATING

1. Model GVWR _____ GAWR Front _____ Rear _____

2. Curb Weights: Front _____ Rear _____

3. Passenger Weights: Front _____ Rear _____

Other factory-installed options:

..... _____

..... _____

..... _____

..... _____

..... _____

..... _____

..... _____

..... _____

..... _____

..... _____

4. TOTALS _____

Front and Rear Weights:

5a. Vehicle sub-total weight (add front and rear weight) _____

5b. Add 22.7 kg (50 lbs) for all models* +22.7 kg (50 lbs)

5c. Adjusted total vehicle weight: _____

Vehicle GVWR: _____

Adjusted total vehicle weight (- _____)

Cargo Weight Rating _____

Record on Page 3.

*If your vehicle is available, drive to a scale and weigh, with occupants, full fuel tank, and other factory-installed options to determine the adjusted total vehicle weight. You will then be able to use your actual total vehicle weight and not have to add the 22.7 kg (50 lbs).

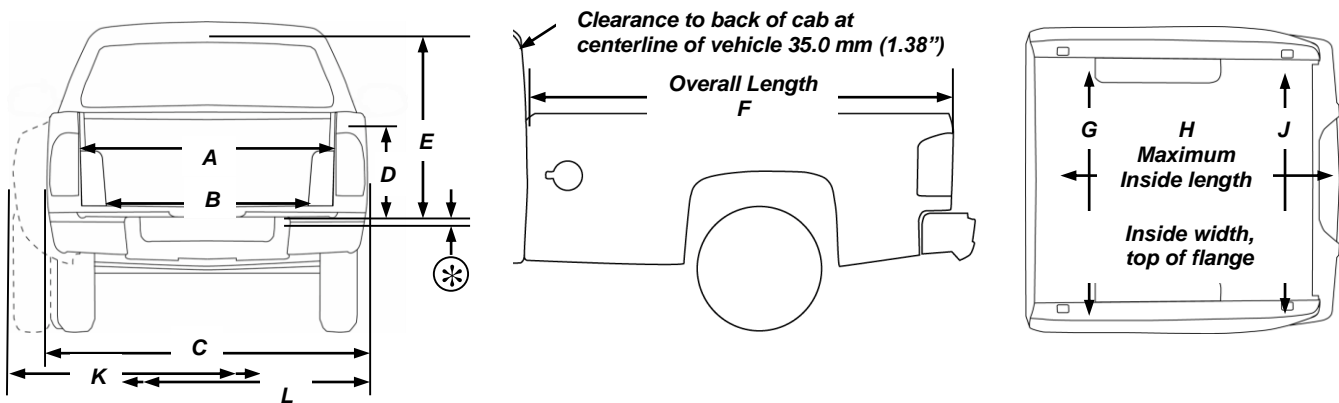
TRUCK-CAMPER LOADING

Box Dimensions

C/K SERIES PICKUP

FLEETSIDE / WIDESIDE *Short Box (Models Silverado/Sierra 15703, 15743, 15753, 25743, 25753, 35743)*
Long Box (Models Silverado/Sierra 15903, 25903, 25943, 25953, 35903, 35943, 35953)

| OPTION E63 | A | B | C | D | E | F | G | H | J | K | L |
|--------------------------|---------|---------|---------|---------|---------|----------|---------|----------|---------|----------|---------|
| Short Box Millimeters | 1572.2 | 1295.4 | 2032.0 | 543.5 | 1013.46 | 2169.1 | 1617.9 | 1955.8 | 1590.0 | - | 2024.3 |
| (Inches) | (61.9") | (51.0") | (80.0") | (21.4") | (39.9") | (85.4") | (63.7") | (77") | (62.6") | - | (79.7") |
| Long Box Centimeters | 1572.2 | 1295.4 | 2032.0 | 543.5 | 1013.46 | 2646.6 | 1617.9 | 2557.7 | 1590.0 | 2557.7 | 2024.3 |
| (Inches) | (61.9") | (51.0") | (80.0") | (21.4") | (39.9") | (104.2") | (63.7") | (100.7") | (62.6") | (100.7") | (79.7") |



Important notes applicable to the C/K "All New" pickup:

- D = Top of bed floor to top of bed rail
- E = Top of bed floor to top of Cab
- K = For dual rear wheels 2 or 4 wheel drive
- L = Includes quarter panel flare width
- ⊛ = Top of bed floor to top of bumper equals 86.36 mm (3.4") for both short and long box

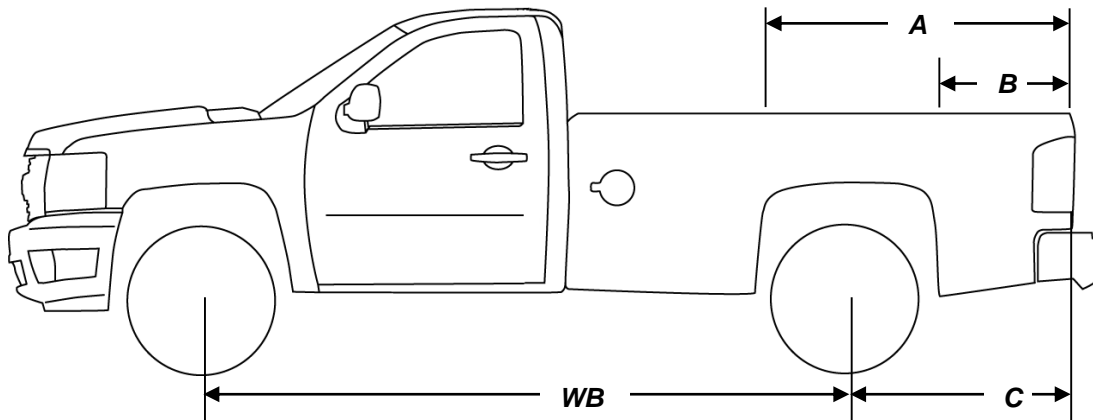
TRUCK-CAMPER LOADING

MODEL CODES AND DIMENSIONS

C/K REGULAR CAB MODELS

| SERIES | MODEL NUMBER | PICKUP BOX LENGTH mm (ft) | PICKUP STYLE | WB mm (in) | "C"* mm (in) |
|---------------------------|--------------|---------------------------|---------------------------------|-----------------|----------------|
| Silverado/ Sierra 1500 | C/K 15703 | 1981.2 (6.6') | Fleetside/Wideside (E63) | 3022.6 (119.0") | 1115.0 (43.9") |
| | C/K 15903 | 2438.4 (8.0') | Fleetside/Wideside (E63) | 3378.2 (133.0") | 1203.9 (47.4") |
| Silverado/ Sierra 2500 | C/K 25903 | 2438.4 (8.0') | Fleetside/Wideside (E63) | 3394.4 (133.6") | 1231.9 (48.5") |
| Silverado/ Sierra 3500 | C/K 35903 | 2438.4 (8.0') | Dually Fleetside/Wideside (E63) | 3394.4 (133.6") | 1231.9 (48.5") |

* Dimensions "C" is the distance from the centerline of the rear axle to the end of the pickup box floor. Dimension A and B can be calculated by using formula on page 12.



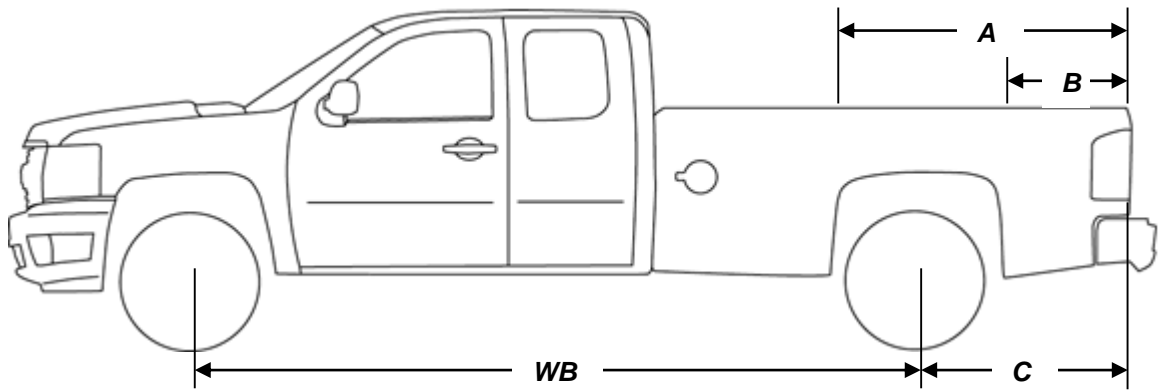
TRUCK-CAMPER LOADING

MODEL CODES AND DIMENSIONS

C/K DOUBLE CAB MODELS

| SERIES | MODEL NUMBER | PICKUP BOX LENGTH mm (ft) | PICKUP STYLE | WB mm (in) | "C"* mm (in) |
|---------------------------|--------------|---------------------------|---------------------------------|-----------------|----------------|
| Silverado/ Sierra 1500 | C/K 15753 | 1981.2 (6.6') | Fleetside/Wideside (E63) | 3645 (143.5") | 1115.0 (43.9") |
| Silverado/ Sierra 2500 | C/K 25753 | 1981.2 (6.6') | Fleetside/Wideside (E63) | 3662.6 (144.2") | 1107.4 (43.6") |
| | C/K 25953 | 2438.4 (8.0') | Fleetside/Wideside (E63) | 4015.7 (158.1") | 1231.9 (48.5") |
| Silverado/ Sierra 3500 | C/K 35953 | 2438.4 (8.0') | Dually Fleetside/Wideside (E63) | 4015.7 (158.1") | 1231.9 (48.5") |

* Dimensions "C" is the distance from the centerline of the rear axle to the end of the pickup box floor.
Dimension A and B can be calculated by using formula on page 12.



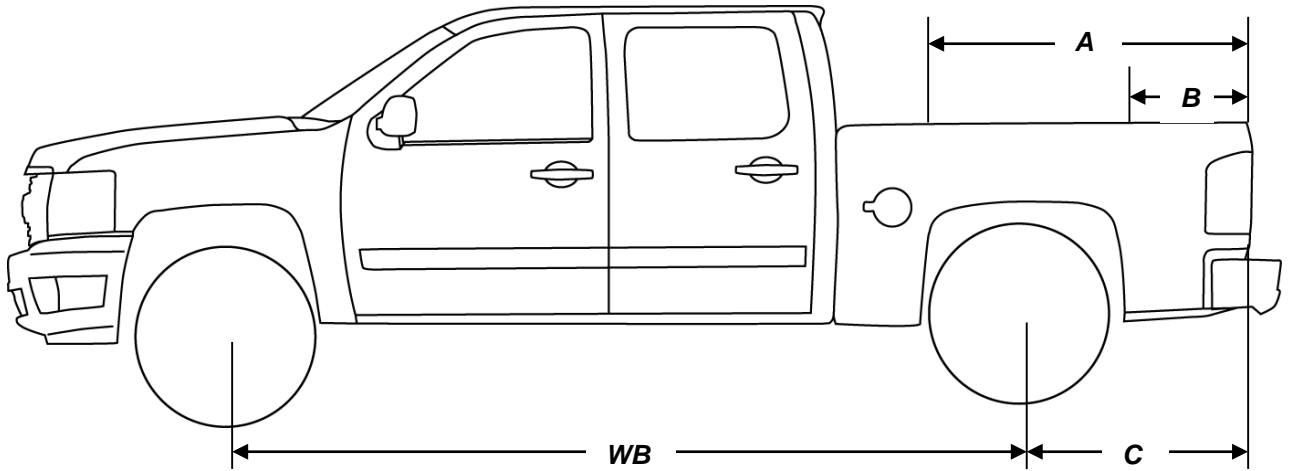
TRUCK-CAMPER LOADING

MODEL CODES AND DIMENSIONS

C/K CREW CAB MODELS

| SERIES | MODEL NUMBER | PICKUP BOX LENGTH mm (ft) | PICKUP STYLE | WB mm (in) | "C"* mm (in) |
|---------------------------|--------------|---------------------------|---------------------------------|------------------|----------------|
| Silverado/ Sierra 1500 | C/K 15743 | 1981.2 (6.6') | Fleetside/Wideside (E63) | 3886.2 (153.0") | 1242.1 (48.9") |
| Silverado/ Sierra 2500 | C/K 25743 | 1981.2 (6.6') | Fleetside/Wideside (E63) | 3903.98 (153.7") | 1107.4(43.6") |
| | C/K 25943 | 2438.4 (8.0') | Fleetside/Wideside (E63) | 4259.5 (167.7") | 1231.9 (48.5") |
| Silverado/ Sierra 3500 | C/K 35743 | 1981.2 (6.6') | Fleetside/Wideside (E63) | 3903.9 (153.7") | 1107.4 (43.6") |
| | C/K 35943 | 2438.4 (8.0') | Dually Fleetside/Wideside (E63) | 4259.5 (167.0") | 1231.9 (48.5") |

* Dimensions "C" is the distance from the centerline of the rear axle to the end of the pickup box floor.
Dimension A and B can be calculated by using formula on page 12.



TRUCK-CAMPER LOADING

CALCULATIONS TO DETERMINE FORWARD (A) AND REARWARD (B) LOCATION OF CENTER OF GRAVITY FOR CARGO WEIGHT RATING

Calculations for Dimension A

$$A = \frac{\{\text{Front GAWR} - (1.05 \times \text{Front Weight}^* \text{ of Truck})\} \times \text{WB} + C}{\text{Cargo Weight Rating}}$$

| | | |
|--|----|-------|
| Enter Front GAWR..... | | _____ |
| Subtract Front Weight* of Truck x 1.05 | - | _____ |
| Answer | | _____ |
| Divide Answer by Cargo Weight Rating (CWR) | ÷ | _____ |
| Answer | | _____ |
| Multiply Answer by Wheelbase (See Charts on page 9, 10, or 11) | X | _____ |
| Answer | | _____ |
| Add C Dimension to Answer (See Charts on page 9, 10, or 11) | +C | _____ |
| Dimension A in centimeters (in inches) | = | _____ |

Note: If "A" is greater than pickup box length, use box length for "A" dimension.

Calculations for Dimension B

$$B = C - \frac{\{1 - \text{Rear GAWR} - (1.1 \times \text{Rear Weight}^* \text{ of Truck})\} \times \text{WB} + C}{\text{Cargo Weight Rating}}$$

| | | |
|---|---|-------|
| Enter Rear GAWR | | _____ |
| Subtract Rear Weight* of Truck x 1.1 | - | _____ |
| Answer | | _____ |
| Divide Answer by Cargo Weight Rating (CWR) | ÷ | _____ |
| Answer | | _____ |
| Subtract Answer from 1.000 | - | _____ |
| Multiply Answer by Wheelbase (See Charts on page 9, 10, or 11)..... | X | _____ |
| Answer | | _____ |
| Enter C Dimension..... | C | _____ |
| Copy Answer from above here..... | - | _____ |
| Dimension B in centimeters (in inches)..... | = | _____ |

Note: If "B" dimension is negative, use 0 (zero) for "B" dimension. If "B" dimension is greater than "A" dimension, camper usage is not recommended at the Calculated Cargo Weight Rating. Camper usage may be possible for a lighter camper. Substitute known specific camper weight (less than Cargo Weight Rating) for Cargo Weight Rating in calculations above to determine "A" to "B" range for that specific camper.

Record dimension A and B on page 3.

*From page 7 line 4.